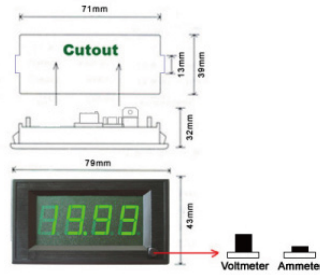


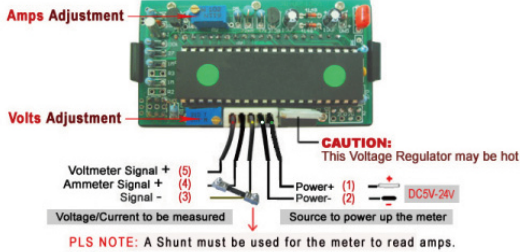
LED Digital Panel COMBO Amp & Voltmeter The Installation & Wiring Diagram

Dimensions of Cutout

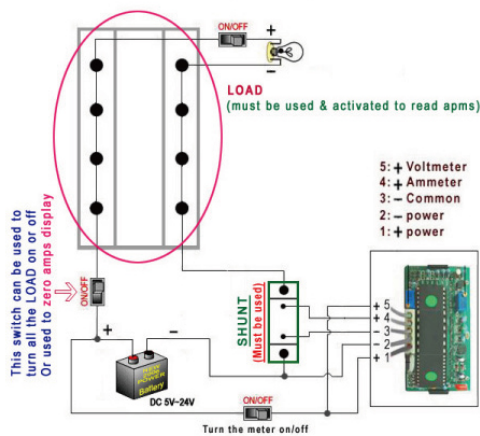


The meter can be installed in any panel w/ thickness of 0.5mm - 10.0mm .

Power & Signal Wiring



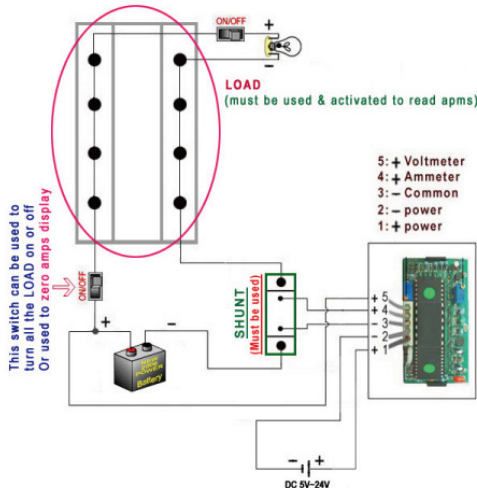
Wiring 1



Please kindly note the following:

- 1) Shunt & Load must be used if the meter is used to read amps (current);
- 2) Shunt must be connected **between** the **NEGATIVE terminal** and the **Load**;
- 3) Load must be **activated** when measuring amps (current);
- 4) Please ignore the colours of the wires, and note that the amp meter must be connected in **SERIES** while the volt meter should be connected in **PARALLEL**;
- 5) The meter can be powered from the same source (under 20Vdc) being measured.

Wiring 2



Please consult your licensed electrician/electrical engineer for professional advice before installation.